

ClearPix Screen In Ceiling Casing Technical Data Sheet

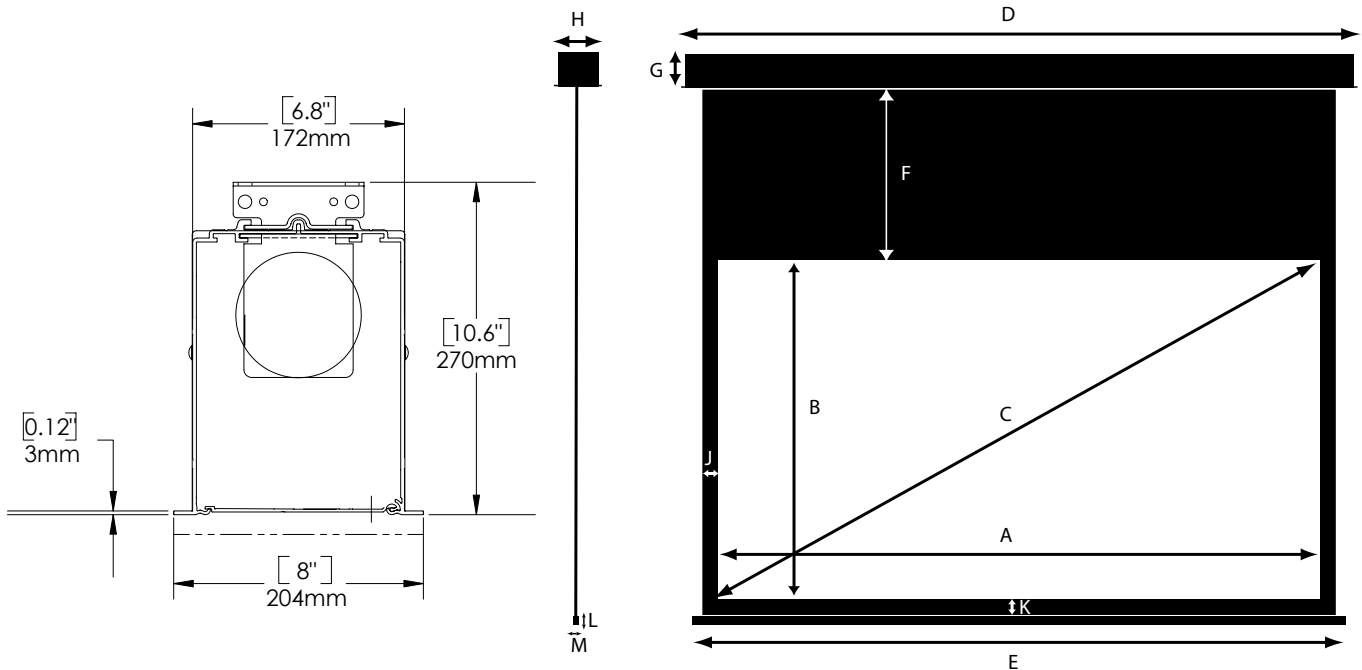


Screen Research

Rue du Finistere
ZAC Erdre Active
44240 La Chapelle sur Erdre, France
Tel. +33 (0) 2 40 77 87 89
Fax +33 (0) 2 40 77 86 78
<http://www.screenresearch.com>
info@screenresearch.com

ClearPix Motorized Screen - In Ceiling Casing Technical Data Sheet

Motorized Trapdoor Version - 16/9 Format - Product Dimensions



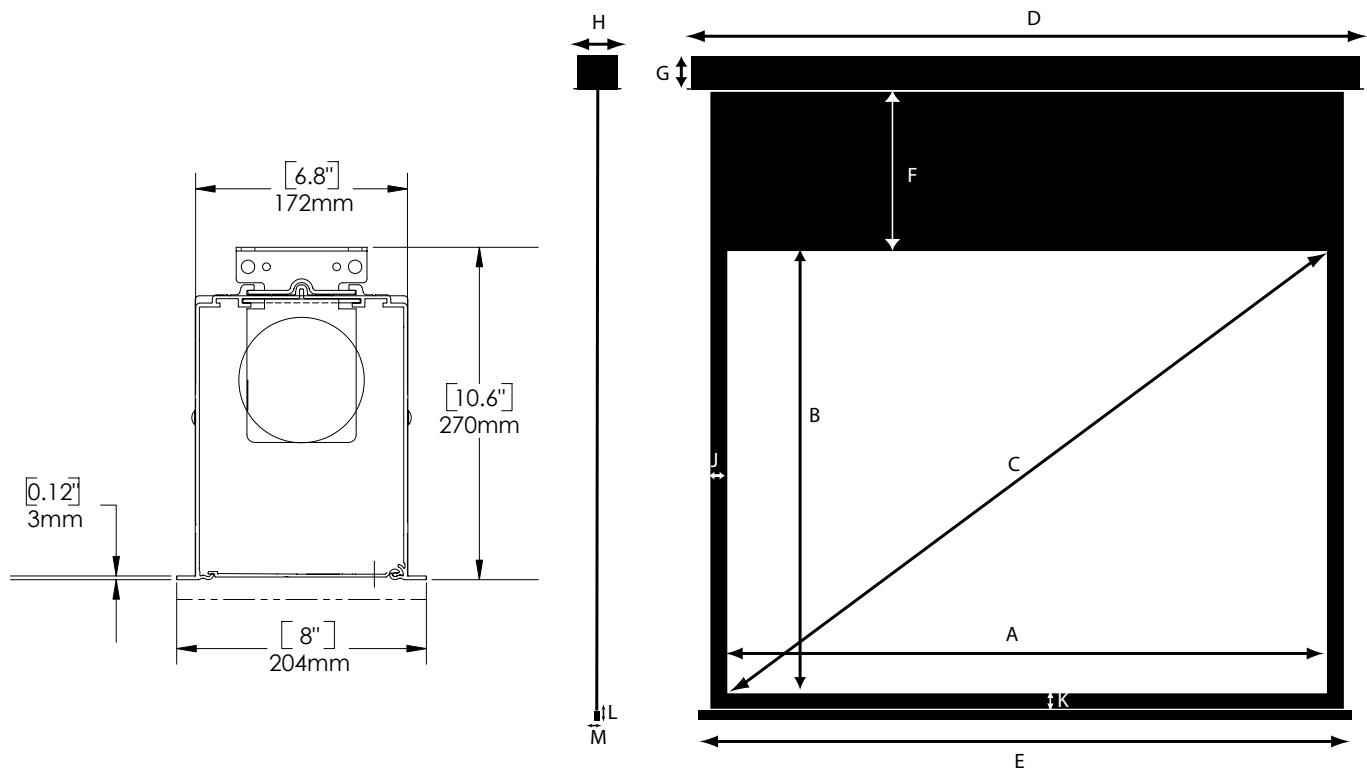
ITEM	OBJECT	70"	80"	90"	96"	100"	110"	120"	130"	140"	150"	160"		
A	Image Width	70" 1778 mm	80" 2032 mm	90" 2286 mm	96" 2438mm	100" 2540 mm	110" 2794 mm	120" 3048 mm	130" 3302 mm	140" 3556mm	150" 3810mm	160" 4064mm		
B	Image Height	39.4" 1000mm	45" 1143 mm	50.6" 1286mm	53.9" 1370mm	56.3" 1429mm	61.9" 1572mm	67.5" 1715mm	73.5" 1858mm	79" 2001 mm	84.3" 2140mm	89.9" 2283mm		
C	Image Diag.	80.3" 2040 mm	91.8" 2331 mm	103.3" 2623mm	110.1" 2797mm	114.7" 2914mm	126.2" 3206mm	137.7" 3497 m	149.2" 3789 mm	160.7" 4080mm	172.1" 4370mm	183.5" 466mm		
D	Casing Width	92.5" 2350 mm	105.9" 2690 mm	112.2" 2850mm	122.8" 3120 mm	122.8" 3120 mm	132.2" 3360mm	142.9" 3630 mm	160.2" 4070mm	168.1" 4270mm	173.6" 4410mm	174" 4420mm		
E	Batten Length	76" 1930mm	86" 2182 mm	96" 2436 mm	101" 2565mm	106" 2690 mm	116" 2944 mm	126" 3198 mm	136" 3455 mm	146" 3709 mm	156" 3962mm	166" 4216mm		
F	Standard Drop (white fabric)	20" 508mm										12.2" 310mm		
	Standard Drop (grey fabric)	20" 508mm					17.7" 450mm	12.2" 310mm	5.5" 138mm	n/a				
	Maxi Drop (white fabric)	30" 750mm										20" 508mm	17.7" 450mm	12.2" 310mm
	Maxi Drop (grey fabric)	30" 750mm			25.6" 650mm	23.6" 600mm	17.7" 450mm	12.2" 310mm	5.5" 138mm	n/a				
G	Casing Height	10.6" / 270mm												
H	Casing Depth	6.8" / 172mm												
	Overall depth (Finishing lip included)	8" / 204mm												
J	Black Border - sides	2" / 50 mm												
K	Black Border - bottom	2" / 50 mm												
L	Batten Height	1" / 24 mm												
M	Batten Depth	0.6" / 16 mm												
	Casing Color	White												
	Batten Color	Black												
	Power 230V - International	230V 50-60Hz 0,4A (90W)												
	Power 115V - America	115V 60Hz 1,1A (120W)												
	Power 100V - Japan	100V 50-60Hz 1,2A (120W)												
Net Weight	single layer	86 lbs 39 kg	95lbs 43 kg	99lbs 45kg	104lbs 47kg	108lbs 49kg	117lbs 53kg	126lbs 57kg	130lbs 59 kg	139lbs 63 kg	148 lbs 67 kg	156lbs 71kg		
	double layer	90lbs 41 kg	99lbs 45 kg	106lbs 48 kg	110lbs 50kg	115lbs 52 kg	123lbs 56 kg	132lbs 60kg	139lbs 63 kg	148 lbs 67 kg	156lbs 71kg	165lbs 75kg		

Note : For the trapdoor version, the electrical management of the trapdoor is internal and automated.

Fabric is only available in White.


ClearPix Motorized Screen - In Ceiling Casing Technical Data Sheet

Motorized Trapdoor Version - 4/3 Format - Product Dimensions



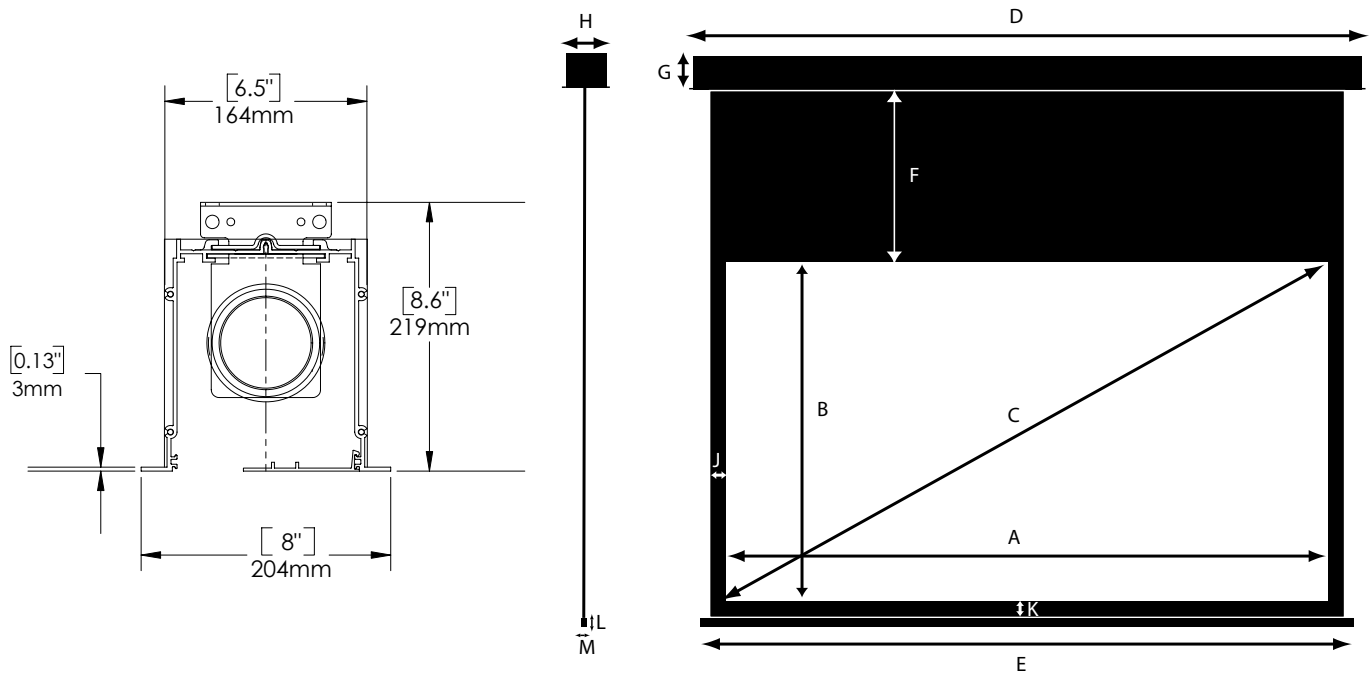
ITEM	OBJECT	70"	80"	90"	100"	110"	120"	
A	Image Width	70" 1778 mm	80" 2032 mm	90" 2286 mm	100" 2540 mm	110" 2794 mm	120" 3048 mm	
B	Image Height	52.5" 1334mm	60" 1524 mm	67.5" 1715mm	75" 1905 mm	82.5" 2096mm	90" 2287mm	
C	Image Diag.	87.5" 2223 mm	100" 2540 mm	112.5" 2858mm	125" 3175 mm	137.5" 3493mm	150.1" 3813mm	
D	Casing Width	92.5" 2350 mm	105.9" 2690 mm	112.2" 2850mm	122.8" 3120 mm	132.2" 3360mm	142.9" 3630 mm	
E	Batten Length	76" 1928 mm	86" 2182 mm	96" 2436 mm	106" 2690 mm	116" 2944 mm	126" 3198 mm	
F	Standard Drop (white fabric)	20" 508mm					13.3" 338mm	
	Standard Drop (grey fabric)	20" 508mm		12.1" 309mm	4.7" 119mm	n/a		
	Maxi Drop (white fabric)	30" 750mm				20" 508mm	13.3" 338mm	
	Maxi Drop (grey fabric)	27.1" 690mm	20" 508mm	12.1" 309mm	4.7" 119mm	n/a		
G	Casing Height	10.6" / 280mm						
H	Casing Depth	6.8" / 175mm						
	Overall depth (Finishing lip included)	8" / 204mm						
J	Black Border - sides	2" / 50 mm						
K	Black Border - bottom	2" / 50 mm						
L	Batten Height	1" / 24 mm						
M	Batten Depth	0.6" / 16 mm						
	Casing Color	White						
	Batten Color	Black						
	Power 230V - International	230V 50-60Hz 0,4A (90W)						
	Power 115V - America	115V 60Hz 1,1A (120W)						
	Power 100V - Japan	100V 50-60Hz 1,2A (120W)						
Net Weight	single layer	86 lbs 39 kg	95lbs 43 kg	99lbs 45kg	108lbs 49kg	117lbs 53kg	126lbs 57kg	
	double layer	90lbs 41 kg	99lbs 45 kg	106lbs 48 kg	115lbs 52 kg	123lbs 56 kg	132lbs 60kg	

Note : For the trapdoor version, the electrical management of the trapdoor is internal and automated.

 Fabric is only available in White.

ClearPix Motorized Screen - In Ceiling Casing Technical Data Sheet

Slot Version - 16/9 Format - Product Dimensions

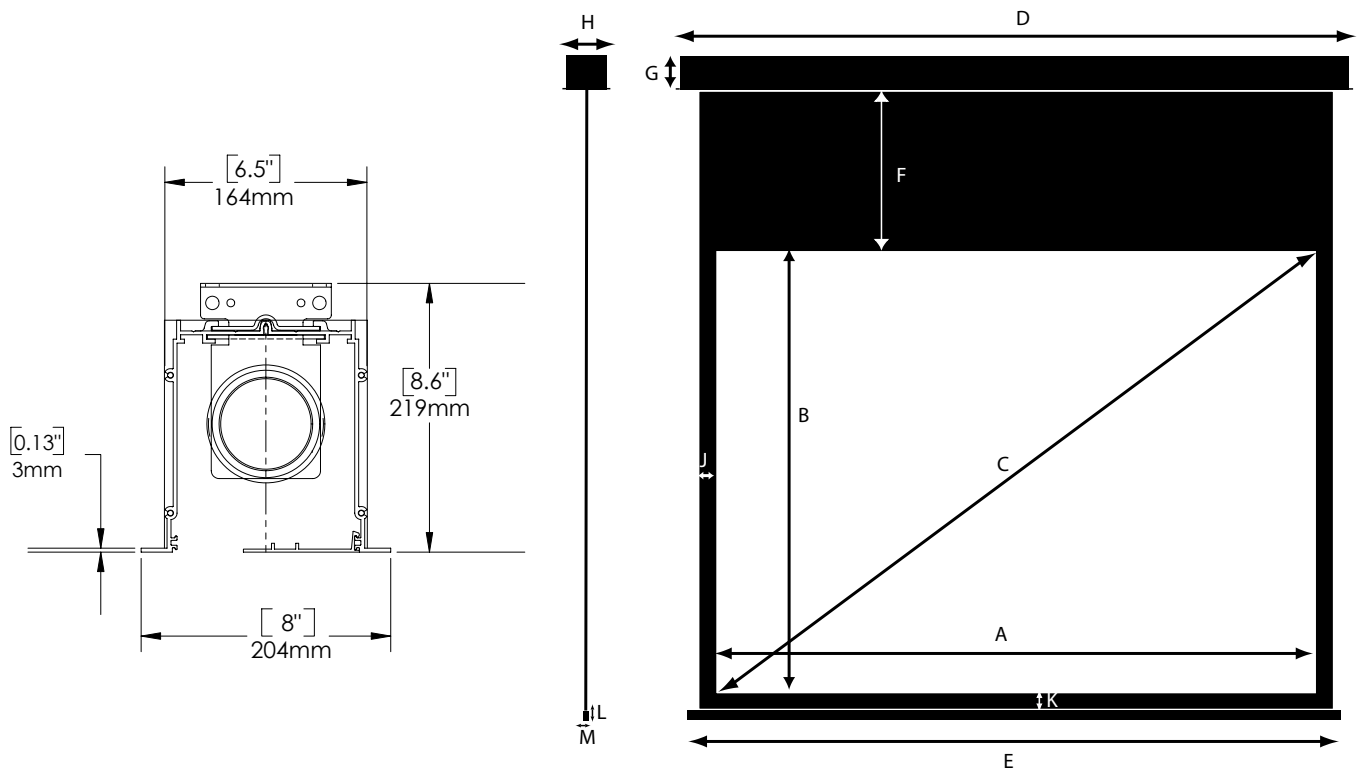


ITEM	OBJECT	70"	80"	90"	96"	100"	110"	120"	130"	140"	150"	160"
A	Image Width	70" 1778 mm	80" 2032 mm	90" 2286 mm	96" 2438mm	100" 2540 mm	110" 2794 mm	120" 3048 mm	130" 3302 mm	140" 3556mm	150" 3810mm	160" 4064mm
B	Image Height	39.4" 1000mm	45" 1143 mm	50.6" 1286mm	53.9" 1370mm	56.3" 1429mm	61.9" 1572mm	67.5" 1715mm	73.5" 1858mm	79" 2001 mm	84.3" 2140mm	89.9" 2283mm
C	Image Diag.	80.3" 2040 mm	91.8" 2331 mm	103.3" 2623mm	110.1" 2797mm	114.7" 2914mm	126.2" 3206mm	137.7" 3497 m	149.2" 3789 mm	160.7" 4080mm	172.1" 4370mm	183.5" 466mm
D	Casing Width	91.3" 2320mm	103.9" 2640mm	111.8" 2840mm	110" 2794mm	122" 3100mm	131.9" 3350mm	142.1" 3610mm	157.9" 4010mm	167.3" 4250mm	172.8" 4390mm	178.3" 4530mm
E	Batten Length	76" 1930mm	86" 2182 mm	96" 2436 mm	101" 2565mm	106" 2690 mm	116" 2944 mm	126" 3198 mm	136" 3455 mm	146" 3709 mm	156" 3962mm	166" 4216mm
F	Standard Drop (white fabric)	20" 508mm										14" 360mm
	Standard Drop (grey fabric)	20" 508mm						14" 360mm	7.4" 190mm	1.8" 45mm	n/a	
	Maxi Drop (white fabric)	30" 750mm								25.6" 650mm	20" 508mm	14" 360mm
	Maxi Drop (grey fabric)	30" 750mm					20" 508mm	14" 360mm	7.4" 190mm	1.8" 45mm	n/a	
G	Casing Height	8.6" / 219mm										
H	Casing Depth	6.5" / 164mm										
	Overall depth (Finishing lip included)	8" / 204mm										
J	Black Border - sides	2" / 50 mm										
K	Black Border - bottom	2" / 50 mm										
L	Batten Height	1" / 24 mm										
M	Batten Depth	0.6" / 16 mm										
	Casing Color	White										
	Batten Color	White										
	Power 230V - International	230V 50-60Hz 0,4A (90W)										
	Power 115V - America	115V 60Hz 1,1A (120W)										
	Power 100V - Japan	100V 50-60Hz 1,2A (120W)										
Net Weight	single layer	53lbs 24kg	58lbs 26kg	62lbs 28kg	64lbs 29kg	66lbs 30kg	73lbs 33kg	75lbs 34kg	82lbs 37 kg	86lbs 39kg	93lbs 42kg	97lbs 44kg
	double layer	58lbs 26kg	62lbs 28kg	68lbs 31 kg	71lbs 32kg	73lbs 33kg	78lbs 36kg	84lbs 38kg	90lbs 41kg	95lbs 43kg	101lbs 46kg	106lbs 48kg

Fabric is only available in White.

ClearPix Motorized Screen - In Ceiling Casing Technical Data Sheet

Slot Version - 4/3 Format - Product Dimensions



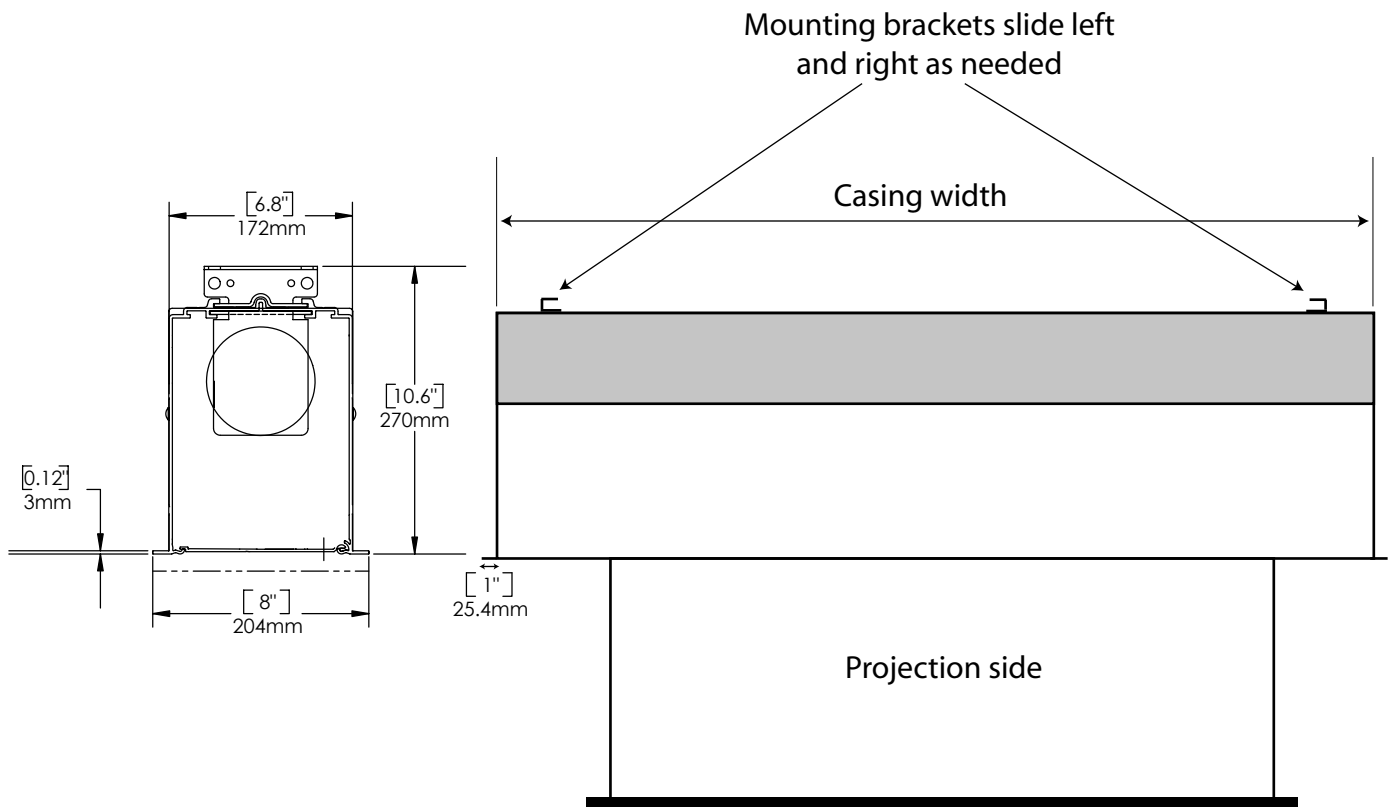
ITEM	OBJECT	70"	80"	90"	100"	110"	120"	
A	Image Width	70" 1778 mm	80" 2032 mm	90" 2286 mm	100" 2540 mm	110" 2794 mm	120" 3048 mm	
B	Image Height	52.5" 1334mm	60" 1524 mm	67.5" 1715mm	75" 1905 mm	82.5" 2096mm	90" 2287mm	
C	Image Diag.	87.5" 2223 mm	100" 2540 mm	112.5" 2858mm	125" 3175 mm	137.5" 3493mm	150.1" 3813mm	
D	Casing Width	91.3" 2320mm	103.9" 2640mm	111.8" 2840mm	122" 3100mm	131.9" 3350mm	142.1" 3610mm	
E	Batten Length	76" 1928 mm	86" 2182 mm	96" 2436 mm	106" 2690 mm	116" 2944 mm	126" 3198 mm	
F	Standard Drop (white fabric)	20" 508mm					15.3" 388mm	
	Standard Drop (grey fabric)	20" 508mm		14.1" 359mm	6.6" 169mm	n/a		
	Maxi Drop (white fabric)	30" 750mm					22.7" 578mm	15.3" 388mm
	Maxi Drop (grey fabric)	30" 750mm	21.6" 550mm	14.1" 359mm	6.6" 169mm	n/a		
G	Casing Height	8.6" / 219mm						
H	Casing Depth	6.5" / 164mm						
	Overall depth (Finishing lip included)	8" / 204mm						
J	Black Border - sides	2" / 50 mm						
K	Black Border - bottom	2" / 50 mm						
L	Batten Height	1" / 24 mm						
M	Batten Depth	0.6" / 16 mm						
	Casing Color	White						
	Batten Color	White						
	Power 230V - International	230V 50-60Hz 0,4A (90W)						
	Power 115V - America	115V 60Hz 1,1A (120W)						
	Power 100V - Japan	100V 50-60Hz 1,2A (120W)						
	Net Weight	single layer	53lbs 24kg	58lbs 26kg	62lbs 28kg	66lbs 30kg	73lbs 33kg	75lbs 34kg
		double layer	58lbs 26kg	62lbs 28kg	68lbs 31 kg	73lbs 33kg	78lbs 36kg	84lbs 38kg

Fabric is only available in White.

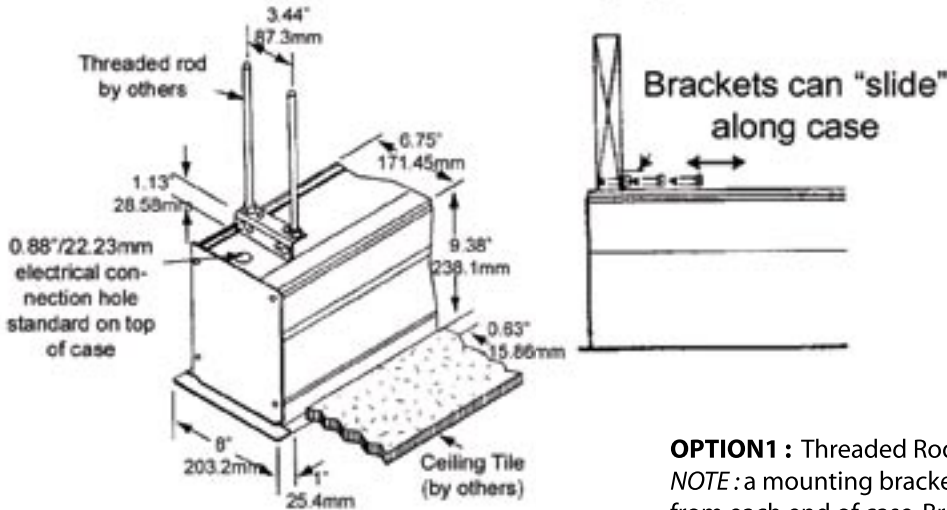
* extra drop is installer-adjustable from 0" / 0 mm to the maximum distance in the table

ClearPix Motorized Screen - In Ceiling Casing Technical Data Sheet

Mounting Dimensions



Mounting Options



OPTION1 : Threaded Rod through top of mounting brackets.
NOTE : a mounting bracket should be positioned within 8" from each end of case. Brackets can "slide" along the length of the case.

OPTION2 : Lagged through side of mounting bracket. Brackets can "slide" along the length of the case.

OPTION3 : In a grid ceiling, with wire through top of mounting brackets.

ClearPix Motorized Screen - In Ceiling Casing Technical Data Sheet

Product Codes and Options

Product Codes

Motorized Trapdoor	1.78 (16:9)	
	Without Black Backing	With Black Backing
Image Width	Product code	Product code
70" (1780mm)	MS-IT-70-178-2?-?	MS-IT-70-178-2?-B-?
80" (2032mm)	MS-IT-80-178-2?-?	MS-IT-80-178-2?-B-?
90" (2286mm)	MS-IT-90-178-2?-?	MS-IT-90-178-2?-B-?
96" (2438mm)	MS-IT-96-178-2?-?	MS-IT-96-178-2?-B-?
100" (2540mm)	MS-IT-100-178-2?-?	MS-IT-100-178-2?-B-?
110" (2794mm)	MS-IT-110-178-2?-?	MS-IT-110-178-2?-B-?
120" (3050mm)	MS-IT-120-178-2?-?	MS-IT-120-178-2?-B-?
130" (3302mm)	MS-IT-130-178-2?-?	MS-IT-130-178-2?-B-?
140" (3556mm)	MS-IT-140-178-2W-?	MS-IT-140-178-2W-B-?
150" (3810mm)	MS-IT-150-178-2W-?	MS-IT-150-178-2W-B-?
160" (4064mm)	MS-IT-160-178-2W-?	MS-IT-160-178-2W-B-?

Motorized Trapdoor	1.33 (4:3)	
	Without Black Backing	With Black Backing
Image Width	Product code	Product code
70" (1780mm)	MS-IT-70-133-2?-?	MS-IT-70-133-2?-B-?
80" (2032mm)	MS-IT-80-133-2?-?	MS-IT-80-133-2?-B-?
90" (2286mm)	MS-IT-90-133-2?-?	MS-IT-90-133-2?-B-?
100" (2540mm)	MS-IT-100-133-2?-?	MS-IT-100-133-2?-B-?
110" (2794mm)	MS-IT-110-133-2W-?	MS-IT-110-133-2W-B-?
120" (3050mm)	MS-IT-120-133-2W-?	MS-IT-120-133-2W-B-?

Slot	1.78 (16:9)	
	Without Black Backing	With Black Backing
Image Width	Product code	Product code
70" (1780mm)	MS-IS-70-178-2?-?	MS-IS-70-178-2?-B-?
80" (2032mm)	MS-IS-80-178-2?-?	MS-IS-80-178-2?-B-?
90" (2286mm)	MS-IS-90-178-2?-?	MS-IS-90-178-2?-B-?
96" (2438mm)	MS-IS-96-178-2?-?	MS-IS-96-178-2?-B-?
100" (2540mm)	MS-IS-100-178-2?-?	MS-IS-100-178-2?-B-?
110" (2794mm)	MS-IS-110-178-2?-?	MS-IS-110-178-2?-B-?
120" (3050mm)	MS-IS-120-178-2?-?	MS-IS-120-178-2?-B-?
130" (3302mm)	MS-IS-130-178-2?-?	MS-IS-130-178-2?-B-?
140" (3556mm)	MS-IS-140-178-2?-?	MS-IS-140-178-2?-B-?
150" (3810mm)	MS-IS-150-178-2W-?	MS-IS-150-178-2W-B-?
160" (4064mm)	MS-IS-160-178-2W-?	MS-IS-160-178-2W-B-?

Slot	1.33 (4:3)	
	Without Black Backing	With Black Backing
Image Width	Product code	Product code
70" (1780mm)	MS-IS-70-133-2?-?	MS-IS-70-133-2?-B-?
80" (2032mm)	MS-IS-80-133-2?-?	MS-IS-80-133-2?-B-?
90" (2286mm)	MS-IS-90-133-2?-?	MS-IS-90-133-2?-B-?
100" (2540mm)	MS-IS-100-133-2?-?	MS-IS-100-133-2?-B-?
110" (2794mm)	MS-IS-110-133-2W-?	MS-IS-110-133-2W-B-?
120" (3050mm)	MS-IS-120-133-2W-?	MS-IS-120-133-2W-B-?

ClearPix Motorized Screen - In Ceiling Casing Technical Data Sheet

Option Codes

The two question marks at the end of the Product Code (?-?) represent the options which **must** be specified with the order. They represent, **in order**, the Fabric Color and the Voltage.

		? - ?	
Fabric color		Voltage	
W	White	E	230V
G	Gray	U	115V
		J	110V

An optional Black Backing is available on our Motorized screens In Ceiling. This eliminates potential reflections from metallic items behind the screen, such as speakers. The Black Backing is even more acoustically transparent than the ClearPix2 fabric and attenuates the sound minimally and evenly across the frequency spectrum.

All Motorized screens In Ceiling are available with 100V, 115V or 230V motors for delivery worldwide.

The power cable exits at the left side and on the top of the screen casing.

Example: a 90", 16/9 screen with white fabric, black backing, 115V motor, with motorized trapdoor would have the product code MS-IT-90-178-2W-B-U