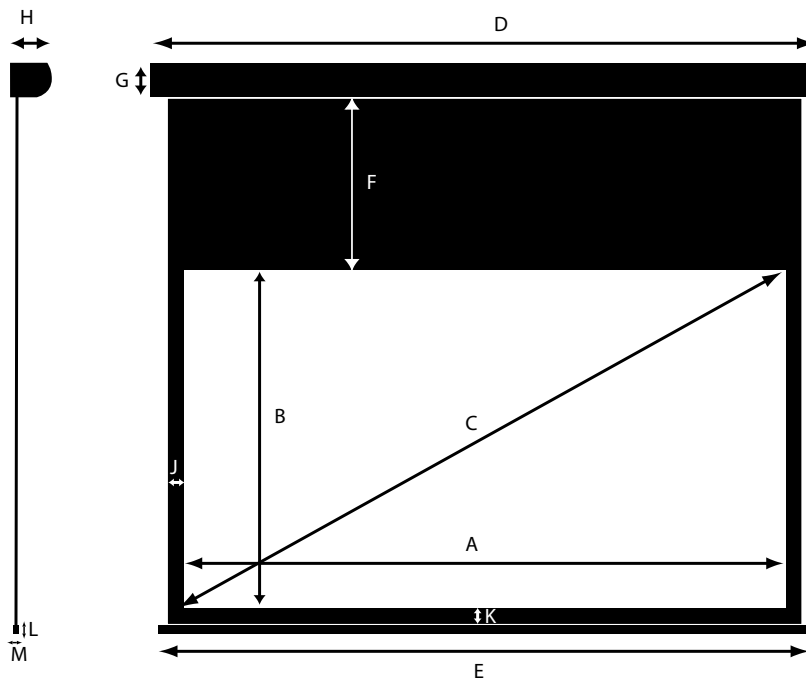


**ClearPix  
Motorized Screen  
Technical Data Sheet**




# ClearPix Motorized Screen Technical Data Sheet

## 16/9 Format - Product Dimensions



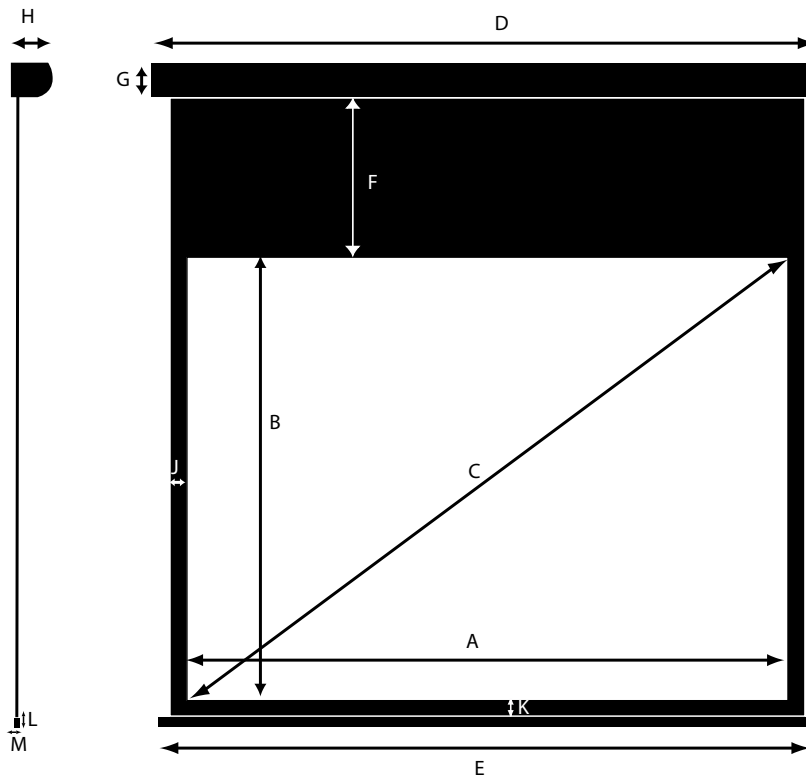
ITEM	OBJECT	70"	80"	90"	96"	100"	110"	120"	130"	140"	150"	160"	
A	Image Width	70" 1778 mm	80" 2032 mm	90" 2286 mm	96" 2438mm	100" 2540 mm	110" 2794 mm	120" 3048 mm	130" 3302 mm	140" 3556mm	150" 3810mm	160" 4064mm	
B	Image Height	39.4" 1000mm	45" 1143 mm	50.6" 1286mm	53.9" 1370mm	56.3" 1429mm	61.9" 1572mm	67.5" 1715mm	73.5" 1858mm	79" 2001 mm	84.3" 2140mm	89.9" 2283mm	
C	Image Diag.	80.3" 2040 mm	91.8" 2331 mm	103.3" 2623mm	110.1" 2797mm	114.7" 2914mm	126.2" 3206mm	137.7" 3497 m	149.2" 3789 mm	160.7" 4080mm	172.1" 4370mm	183.5" 466mm	
D	Casing Width	78" 1978 mm	88" 2232 mm	98" 2486 mm	103" 2616mm	108" 2740 mm	118" 2994 mm	128" 3248 mm	138" 3506 mm	148" 3760 mm	158" 4013mm	168" 4267mm	
E	Batten Length	76" 1928 mm	86" 2182 mm	96" 2436 mm	101" 2565mm	106" 2690 mm	116" 2944 mm	126" 3198 mm	136" 3455 mm	146" 3709 mm	156" 3962mm	166" 4216mm	
F	standard Drop (white fabric)	20" / 508mm										18.9"/482mm	
	Standard Drop (grey fabric)	20" / 508mm					17.7"/450mm		11.8"/300mm		6.4" / 164mm		n/a
	MaxiDrop (white fabric)	30"/750mm										24.4"/620mm	18.9"/482mm
	Maxi Drop (grey fabric)	30"/750mm					17.7"/450mm		11.8"/300mm		6.4" / 164mm		n/a
G	Casing Height	single layer			3.6" / 90mm			5.9" / 150mm					
	double layer	5.9" / 150mm											
H	Casing Depth	single layer			4.4" / 112mm			6.7" / 168 mm					
	double layer	6.7" / 168 mm											
J	Black Border - sides	2" / 50 mm											
K	Black Border - bottom	2" / 50 mm											
L	Batten Height	1" / 24 mm											
M	Batten Depth	0.6" / 16 mm											
	Power 230V - International	230V 50-60Hz 0,4A (90W)											
	Power 115V - America	115V 60Hz 1,1A (120W)											
	Power 100V - Japan	100V 50-60Hz 1,2A (120W)											
	Shipping Weight	single layer	43 lbs/19 kg	48 lbs/22 kg	53 lbs / 24 kg	55lbs/25kg	58 lbs / 26 kg	78lbs / 31 kg	83 lbs / 33 kg	90 lbs / 36 kg	98lbs / 39 kg	104lbs/42kg	108lbs/45kg
	double layer	60 lbs/24 kg	67lbs/27 kg	73 lbs / 29 kg	66lbs/30kg	78lbs/31 kg	90 lbs / 36 kg	95 lbs / 38 kg	103lbs /41kg	110lbs/44kg	104lbs/47kg	110lbs/50kg	
	Net Weight	single layer	36 lbs/17 kg	41 lbs/19 kg	45 lbs / 21 kg	48lbs/22kg	50 lbs / 23 kg	54 lbs / 25 kg	58 lbs / 27 kg	62 lbs / 29 kg	66lbs /31 kg	73lbs/33kg	77lbs/35kg
	double layer	55 lbs/22 kg	60 lbs/24 kg	65 lbs/26 kg	67lbs/27kg	70 lbs/28 kg	75 lbs/30 kg	80 lbs/32 kg	85 lbs/34 kg	90 lbs/36 kg	92lbs/38kg	96lbs/40kg	

 Fabric is only available in White.


\* extra drop is installer-adjustable from 0" / 0 mm to the maximum distance in the table

# ClearPix Motorized Screen Technical Data Sheet

## 4/3 Format - Product Dimensions



ITEM	OBJECT	70"	80"	90"	100"	110"	120"
A	Image Width	70" 1778 mm	80" 2032 mm	90" 2286 mm	100" 2540 mm	110" 2794 mm	120" 3048 mm
B	Image Height	52.5" 1334mm	60" 1524 mm	67.5" 1715mm	75" 1905 mm	82.5" 2096mm	90" 2287mm
C	Image Diag.	87.5" 2223 mm	100" 2540 mm	112.5" 2858mm	125" 3175 mm	137.5" 3493mm	150.1" 3813mm
D	Casing Width	78" 1978 mm	88" 2232 mm	98" 2486 mm	108" 2740 mm	118" 2994 mm	128" 3248 mm
E	Batten Length	76" 1928 mm	86" 2182 mm	96" 2436 mm	106" 2690 mm	116" 2944 mm	126" 3198 mm
F	Standard Drop (white fabric)	20" / 508mm			20"/508mm		18.8"/478mm
	Standard Drop (grey fabric)	20" / 508mm		16"/400mm	10.2"/260mm	2.7"/69mm	n/a
	Maxi Drop (white fabric)	30"/750mm			10.2"/260mm	26.1"/665mm	18.8"/478mm
	Maxi Drop (grey fabric)	30"/750mm	25.1"/640mm	16"/400mm	10.2"/260mm	2.7"/69mm	n/a
G	Casing Height	single layer	3.6" / 90mm		5.9" / 150mm		
	double layer	5.9" / 150mm					
H	Casing Depth	single layer	4.4" / 112mm		6.7" / 168 mm		
	double layer	6.7" / 168 mm					
J	Black Border - sides	2" / 50 mm					
K	Black Border - bottom	2" / 50 mm					
L	Batten Height	1" / 24 mm					
M	Batten Depth	0.6" / 16 mm					
	Power 230V - International	230V 50-60Hz 0,4A (90W)					
	Power 115V - America	115V 60Hz 1,1A (120W)					
	Power 100V - Japan	100V 50-60Hz 1,2A (120W)					
Shipping Weight	single layer	43 lbs/19 kg	48 lbs/22 kg	53 lbs / 24 kg	58 lbs / 26 kg	78lbs / 31 kg	83 lbs / 33 kg
	double layer	60 lbs/24 kg	67lbs/27 kg	73 lbs / 29 kg	78lbs/31 kg	90 lbs / 36 kg	95 lbs / 38 kg
Net Weight	single layer	36 lbs/17 kg	41 lbs/19 kg	45 lbs / 21 kg	50 lbs / 23 kg	54 lbs / 25 kg	58 lbs / 27 kg
	double layer	55 lbs/22 kg	60 lbs/24 kg	65 lbs/26 kg	70 lbs/28 kg	75 lbs/30 kg	80 lbs/32 kg

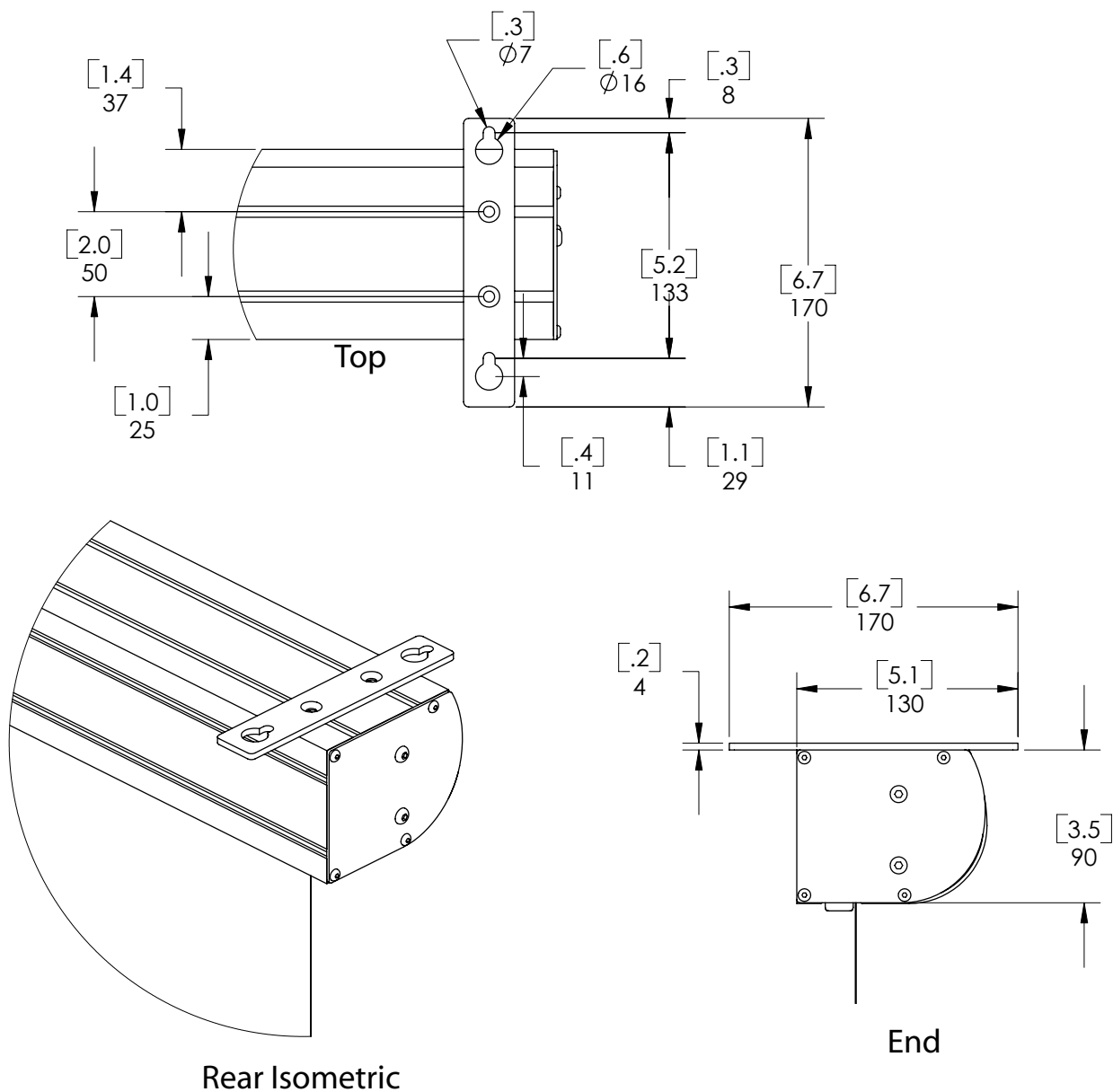
 Fabric is only available in White.

\* extra drop is installer-adjustable from 0" / 0 mm to the maximum distance in the table

# ClearPix Motorized Screen Technical Data Sheet

## Mounting Dimensions - Small Casing

Ceiling Mount - Single Layer - 70" - 96" (16/9 format) - 70"-90" (4/3 format)

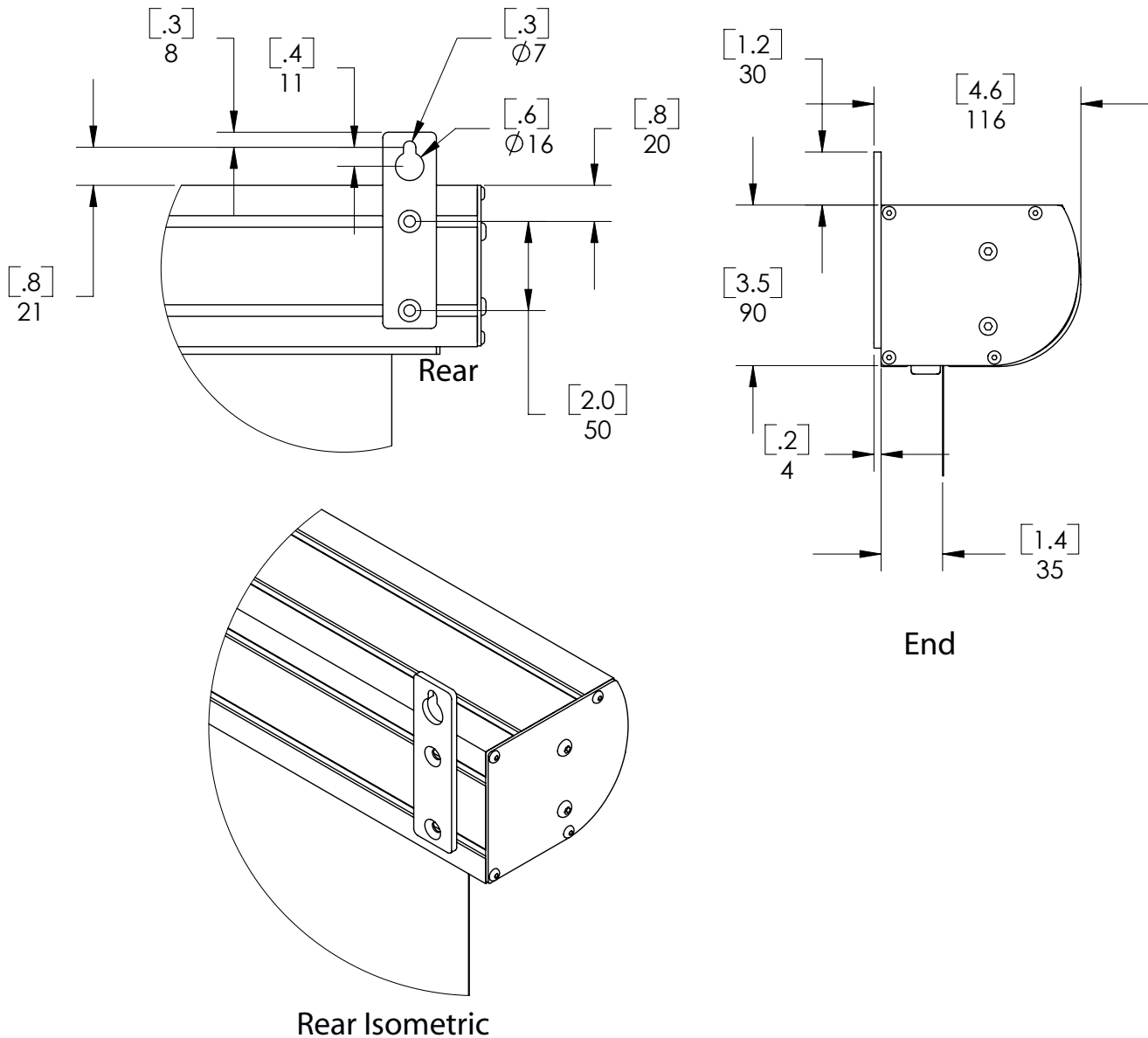


The mounting brackets are bolted to captive M6 nuts which slide in slots in the casing. These can be placed anywhere along the length of the casing, but for best results they should be as near the end of the casing as possible -- within 4" (10 cm) is best. Screens are delivered with two ceiling-mounting and two wall-mounting brackets.

# ClearPix Motorized Screen Technical Data Sheet

## Mounting Dimensions - Small Casing

Wall Mount - Single Layer - 70" - 96" (16/9 format) - 70"-90" (4/3 format)



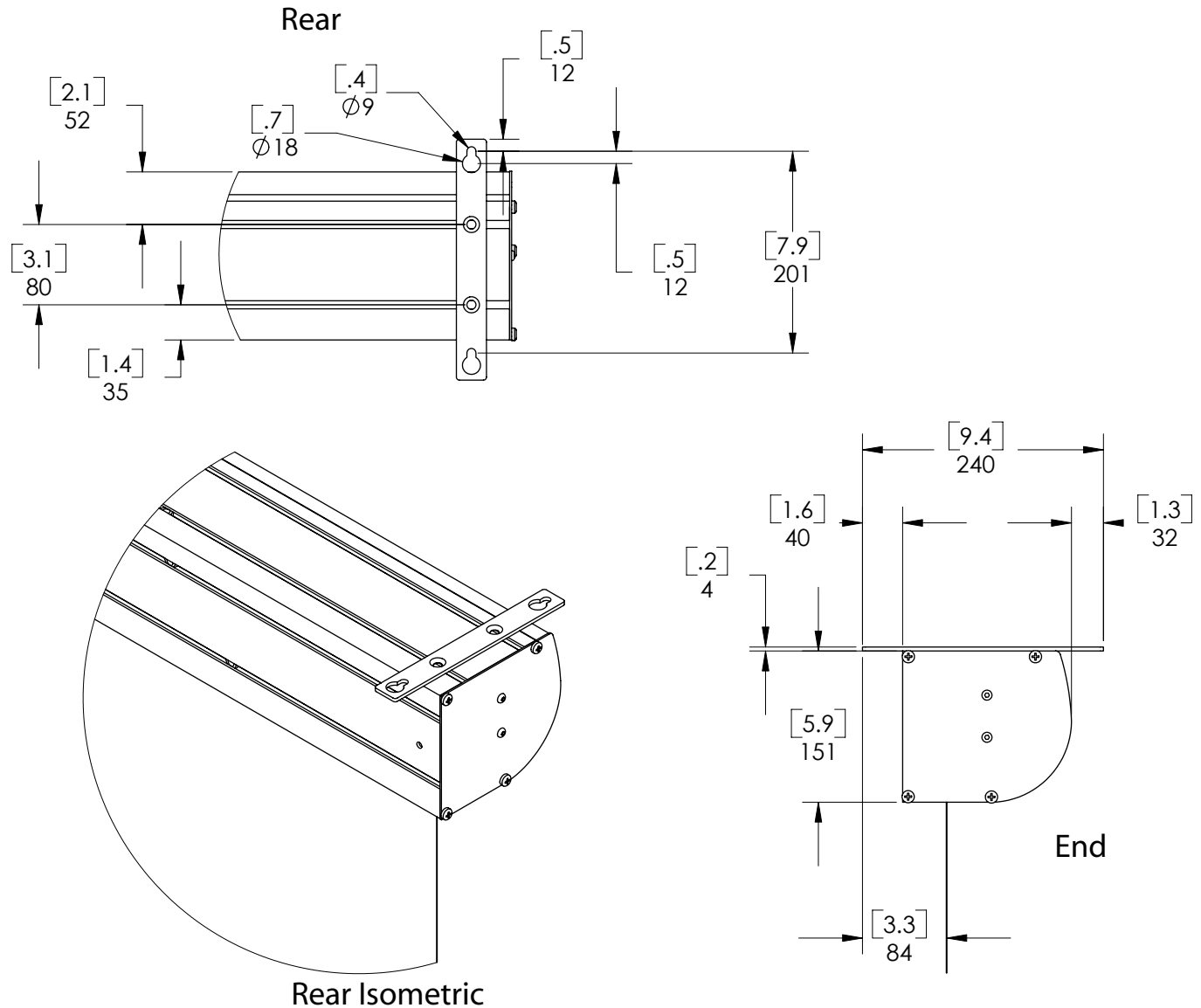
The mounting brackets are bolted to captive M6 nuts which slide in slots in the casing. These can be placed anywhere along the length of the casing, but for best results they should be as near the end of the casing as possible -- within 4" (10 cm) is best. Screens are delivered with two ceiling-mounting and two wall-mounting brackets.

# ClearPix Motorized Screen Technical Data Sheet

## Mounting Dimensions - Large Casing

Ceiling Mount - Single Layer > 96" (16/9 format) and single layer >90" (4/3 format)

Double Layer 70" - 120"

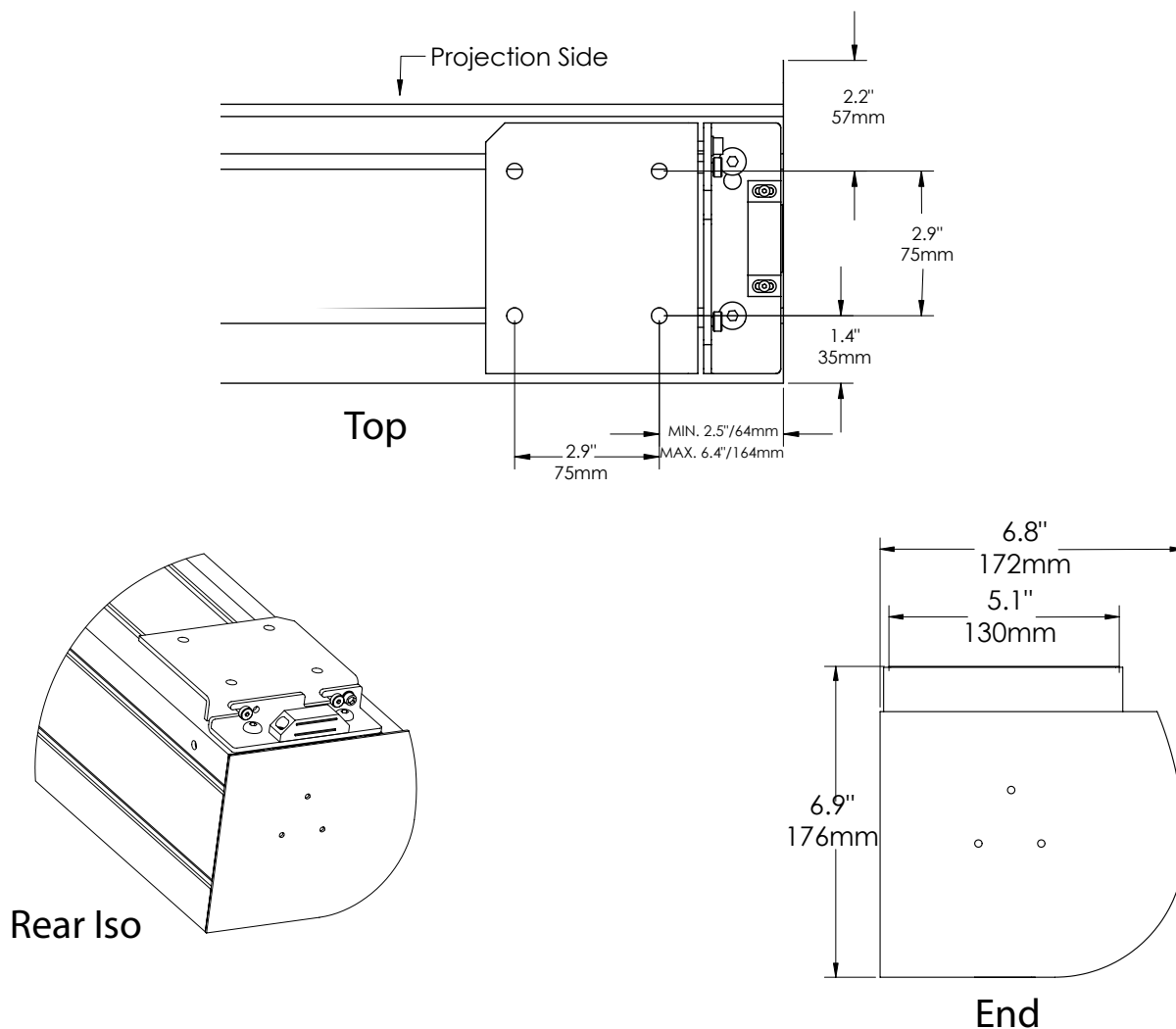


The mounting brackets are bolted to captive M8 nuts which slide in slots in the casing. These can be placed anywhere along the length of the casing, but for best results they should be as near the end of the casing as possible -- within 4" (10 cm) is best. Screens up to 120" wide (not included) are delivered with two ceiling-mounting and two wall-mounting brackets.

# ClearPix Motorized Screen Technical Data Sheet

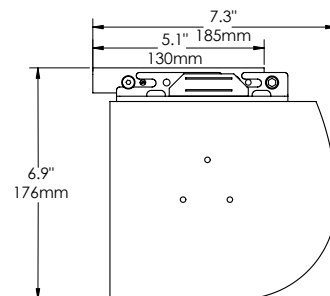
## Mounting Dimensions - Large Casing

Ceiling Mount - Double Layer 120" - 160"\*



The mounting brackets are bolted to captive M8 nuts which slide in slots in the casing. These can be placed anywhere along the length of the casing, but for best results they should be as near the end of the casing as possible -- within 4" (10 cm) is best. Screens over 120" wide (120" included) have a pair of quick mounting brackets.

The screen slides into the ceiling bracket from the front; this movement requires 1" / 25mm of clearance between the front of the casing and any other potential obstacle. The screen is then locked into place with a set screw.



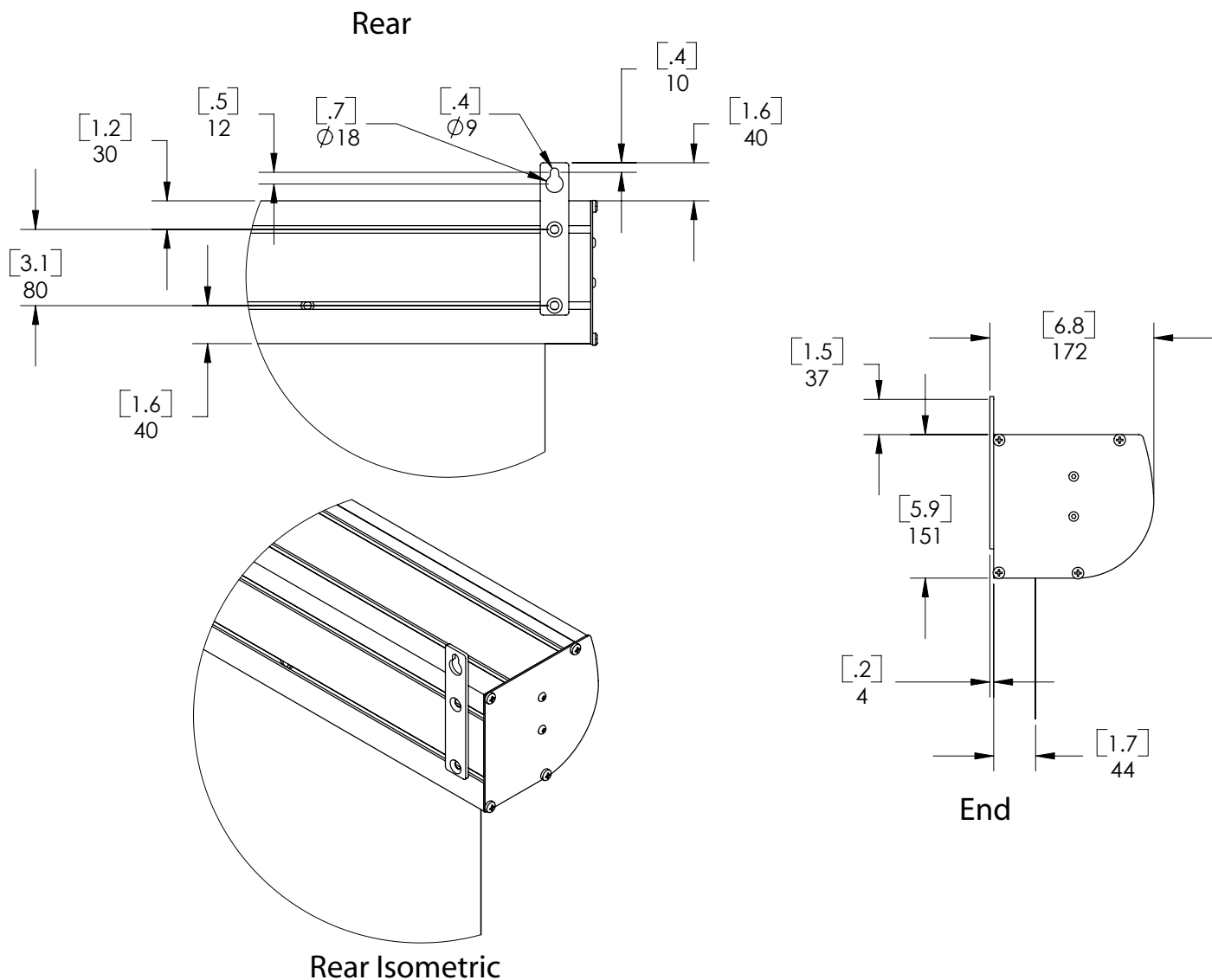
\* These quick mounting brackets can be ordered **in option** to attach other motorized screens. This needs to be mentioned when ordering.

# ClearPix Motorized Screen Technical Data Sheet

## Mounting Dimensions - Large Casing

Wall Mount - Single Layer > 96" (16/9 format) and single layer >90" (4/3 format)

Double Layer 70" - 120"

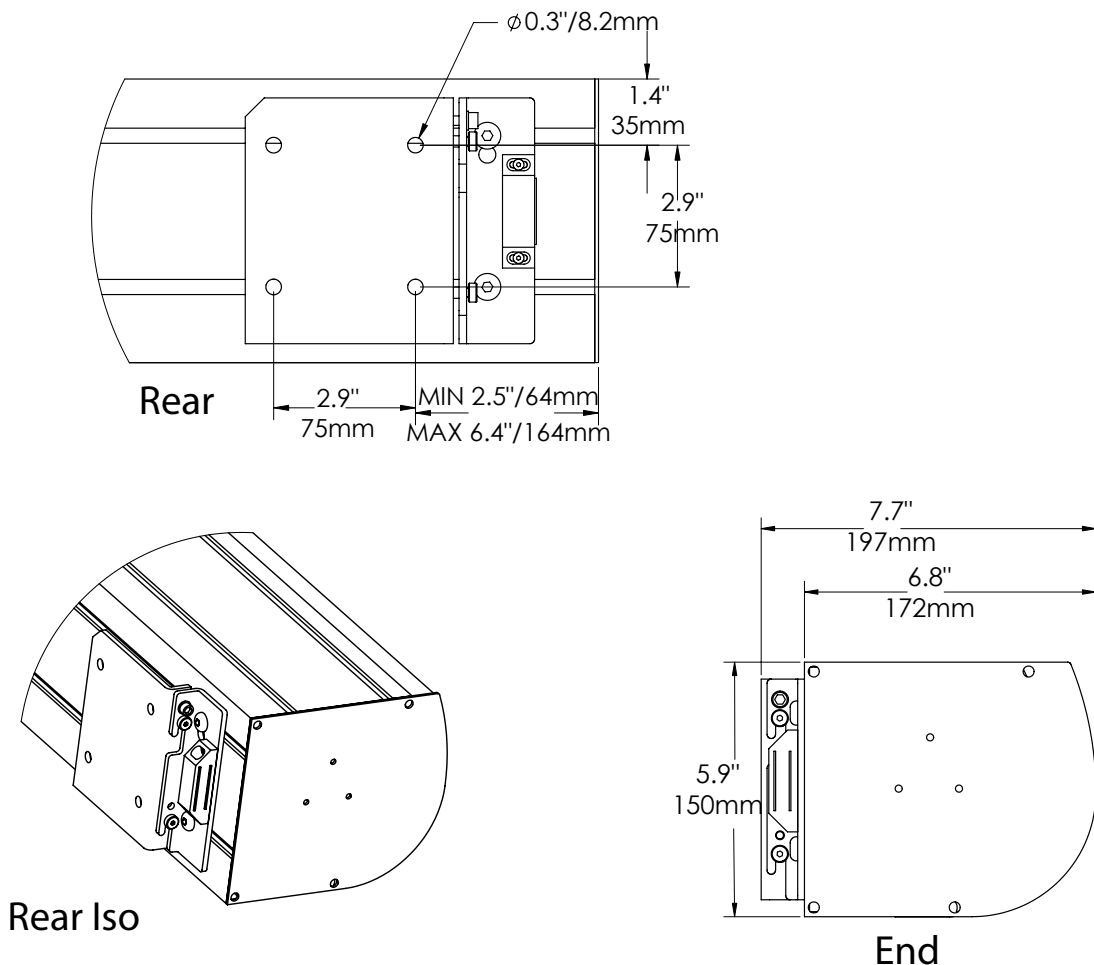


The mounting brackets are bolted to captive M8 nuts which slide in slots in the casing. These can be placed anywhere along the length of the casing, but for best results they should be as near the end of the casing as possible -- within 4" (10 cm) is best. Screens up to 120" wide (not included) are delivered with two ceiling-mounting and two wall-mounting brackets ; screens over 120" wide (120" included) have a pair of quick mounting brackets.

# ClearPix Motorized Screen Technical Data Sheet

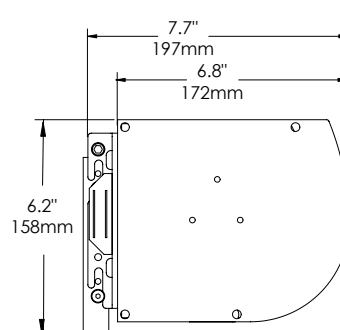
## Mounting Dimensions - Large Casing

Wall Mount - Double Layer 120" - 160"\*



The mounting brackets are bolted to captive M8 nuts which slide in slots in the casing. These can be placed anywhere along the length of the casing, but for best results they should be as near the end of the casing as possible -- within 4" (10 cm) is best. Screens over 120" wide (120" included) have a pair of quick mounting brackets.

The screen slides into the rear bracket from the front; this movement requires 1" / 25mm of clearance between the top of the casing and any other potential obstacle (ceiling, ...). The screen is then locked into place with a set screw.



\* These quick mounting brackets can be ordered **in option** to attach other motorized screens. This needs to be mentioned when ordering.

# ClearPix Motorized Screen Technical Data Sheet

## Product Codes and Options

### Product Codes

	1.78 (16:9)	
	Without Black Backing	With Black Backing
Image Width	Product code	Product code
70" (1780mm)	MS-70-178-2?-???	MS-70-178-2?-B-???
80" (2032mm)	MS-80-178-2?-???	MS-80-178-2?-B-???
90" (2286mm)	MS-90-178-2?-???	MS-90-178-2?-B-???
96" (2438mm)	MS-96-178-2?-???	MS-96-178-2?-B-???
100" (2540mm)	MS-100-178-2?-???	MS-100-178-2?-B-???
110" (2794mm)	MS-110-178-2?-???	MS-110-178-2?-B-???
120" (3050mm)	MS-120-178-2?-???	MS-120-178-2?-B-???
130" (3302mm)	MS-130-178-2?-???	MS-130-178-2?-B-???
140" (3556mm)	MS-140-178-2?-???	MS-140-178-2?-B-???
150" (3810mm)	MS-150-178-2W-???	MS-150-178-2W-B-???
160" (4064mm)	MS-160-178-2W-???	MS-160-178-2W-B-???

	1.33 (4:3)	
	Without Black Backing	With Black Backing
Image Width	Product code	Product code
70" (1780mm)	MS-70-133-2?-???	MS-70-133-2?-B-???
80" (2032mm)	MS-80-133-2?-???	MS-80-133-2?-B-???
90" (2286mm)	MS-90-133-2?-???	MS-90-133-2?-B-???
100" (2540mm)	MS-100-133-2?-???	MS-100-133-2?-B-???
110" (2794mm)	MS-110-133-2?-???	MS-110-133-2?-B-???
120" (3050mm)	MS-120-133-2W-???	MS-120-133-2W-B-???

### Option Codes

The four question marks at the end of the Product Code (?-???) represent the options which **must** be specified with the order. They represent, **in order**, the Fabric Color, Voltage, Cable Exit Position, and Casing Color.

Fabric color		Voltage		Cable Exit		Casing Color	
W	White	E	230V	0	Rear	0	White
G	Gray	U	115V	1	Top	1	Black
		J	110V	2	End		

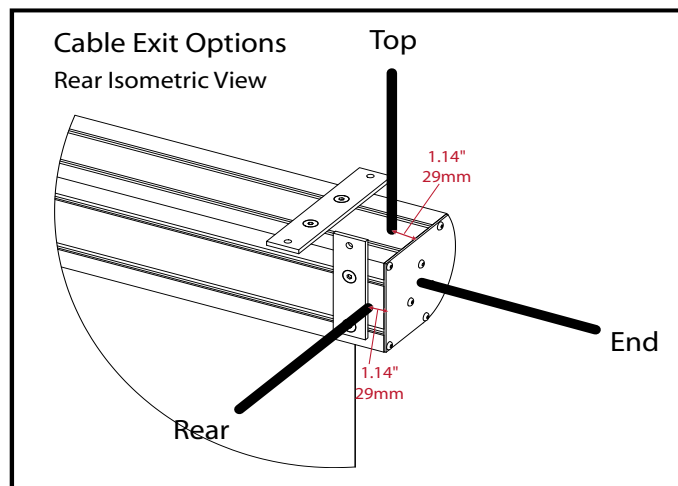
An optional Black Backing is available on our Motorized screens. This eliminates potential reflections from metallic items behind the screen, such as speakers. The Black Backing is even more acoustically transparent than the ClearPix2 fabric and attenuates the sound minimally and evenly across the frequency spectrum.

All Motorized screens are available with 100V, 115V or 230V motors for delivery worldwide.

The power cable exits at the left side of the screen casing. The wire exit is centered on the side where it is placed. Its precise position must be specified.

The casing is available with a Matte White or Matte Black powder-coated finish. The batten at the bottom of the screen is of the same color as the casing.

Example: a 90", 16/9 screen with white fabric, black backing, 115V motor, rear cable exit and black casing would have the product code MS-90-178-2W-B-U01



# ClearPix Motorized Screen Technical Data Sheet

## Customization

---

Screen Research does its utmost to respond to particular product needs. We provide a range of customization options to ensure that our screen fits perfectly into your environment.

### Screen Size

Motorized Screens are produced at standard sizes in 10" increments. Custom, intermediate sizes are available upon request, as are custom aspect ratios.

### Extra Drop

Additional extra drop can be added to the screen upon request, within the limits specified on the Overall Dimensions table.

### Black Borders

Black Borders are 2" / 50mm standard, but can be customized to be larger or smaller.

### Casing and Batten Color

The standard casing and batten colors are Matte White and Matte Black.

---

### Screen Research

Rue du Finistere

ZAC Erdre Active

44240 La Chapelle sur Erdre, France

Tel. +33 (0) 2 40 77 87 89 Fax +33 (0) 2 40 77 86 78

<http://www.screenresearch.com>

[info@screenresearch.com](mailto:info@screenresearch.com)