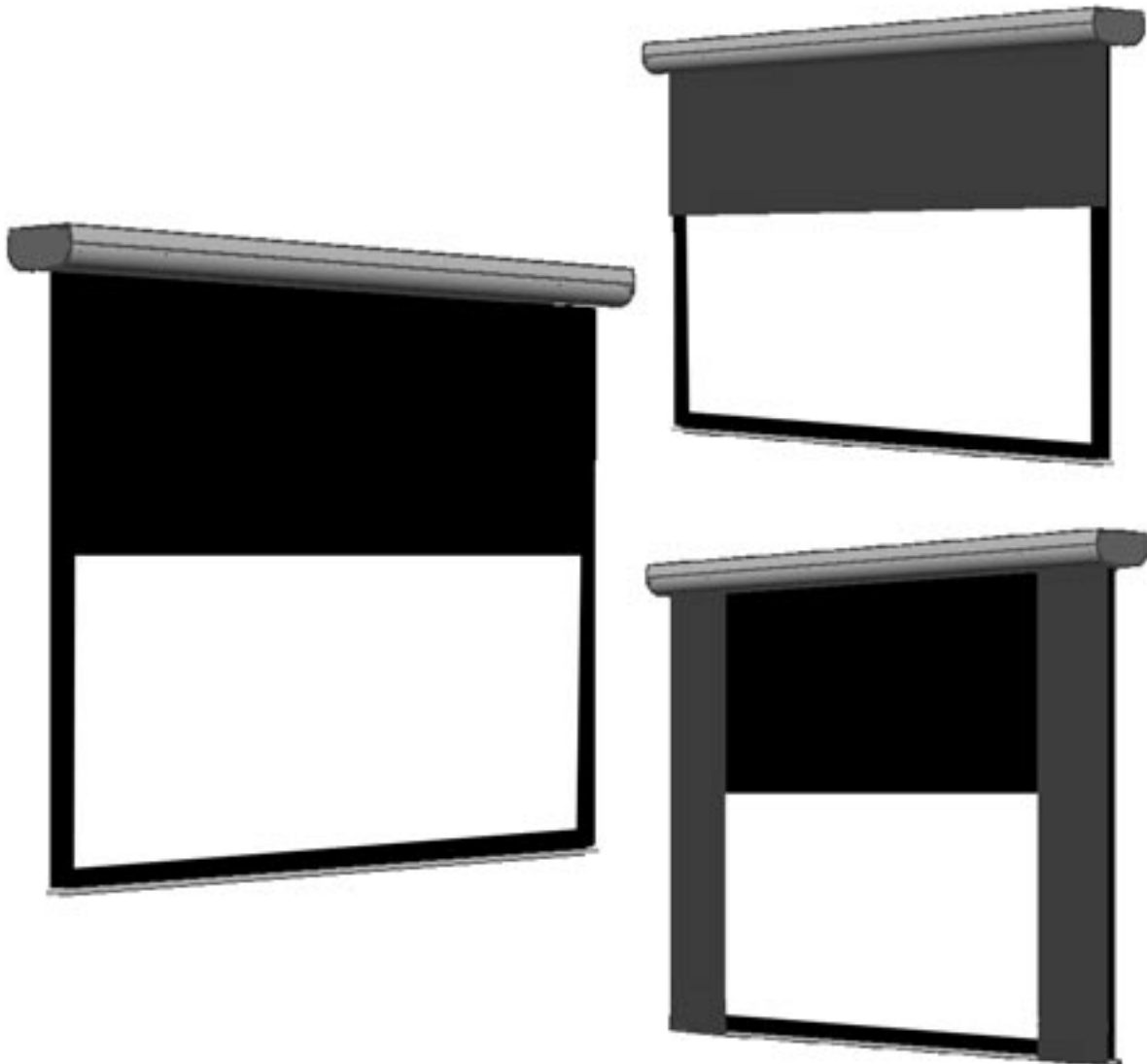


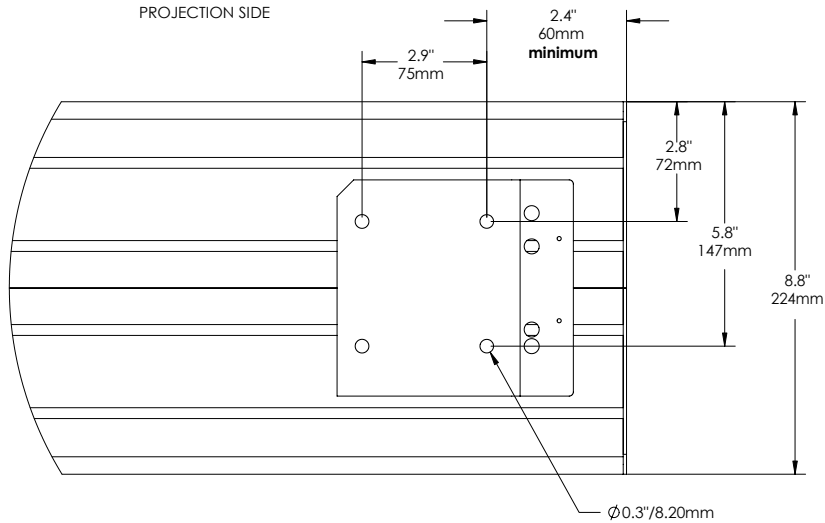
Motorized Screen with Masking Installation Manual



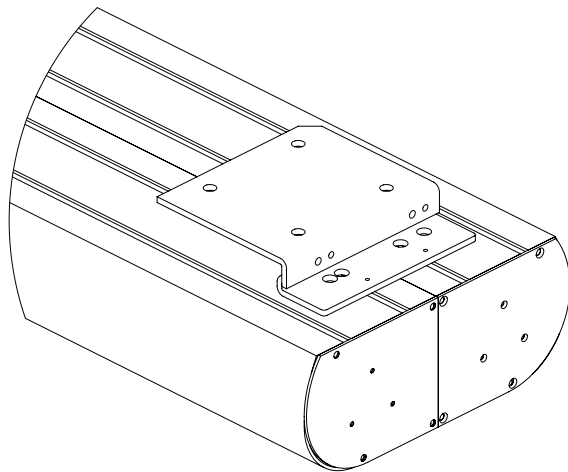
Motorized Screen with Masking Installation Manual

Mounting Dimensions - Small Casing

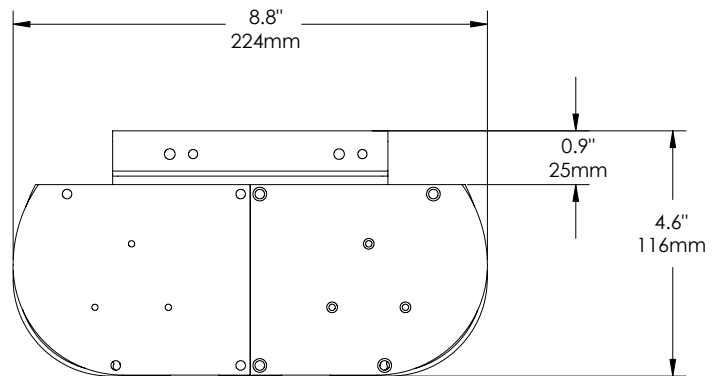
Ceiling Mount - Single Layer - 70" - 96" (16/9 format) - 70"-90" (4/3 format) - 70"-100" (2.35 format)



Top



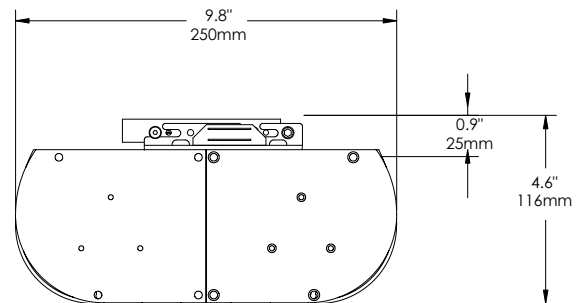
Rear Isometric



End

The screen portion of the mounting brackets is bolted to captive M6 nuts which slide in slots in the casing. These can be placed anywhere along the length of the casing, but for best results they should be as near the end of the casing as possible -- within 4" (10 cm) is best. The ceiling portion of the mounting bracket bolts to the ceiling with 4 bolts (not provided). The screen slides into the ceiling bracket from the front; this movement requires 1" / 25mm of clearance between the front of the casing and any other potential obstacle. The screen is then locked into place with a set screw. Screens are delivered with a pair of quick mounting brackets.

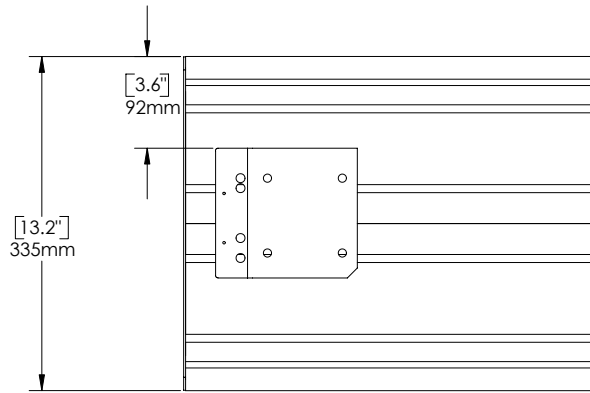
There is one extra nut in each slot in case it is necessary.



Motorized Screen with Masking Installation Manual

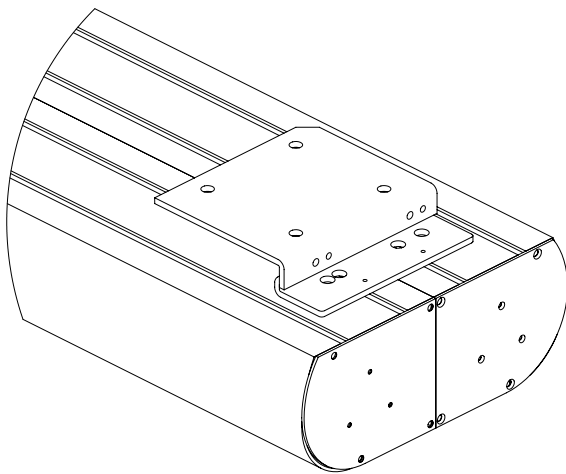
Mounting Dimensions - Large Casing

Ceiling Mount - Two Way Masking < 120"

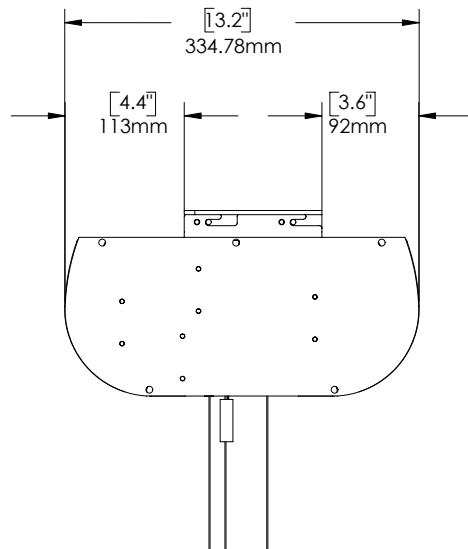


PROJECTION SIDE

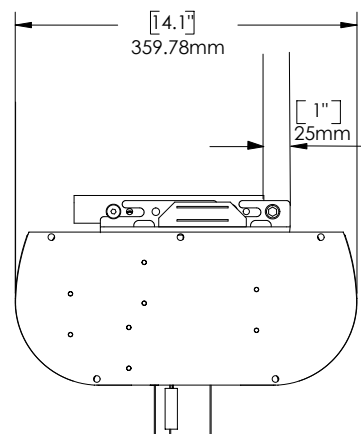
Top



Rear Isometric



End



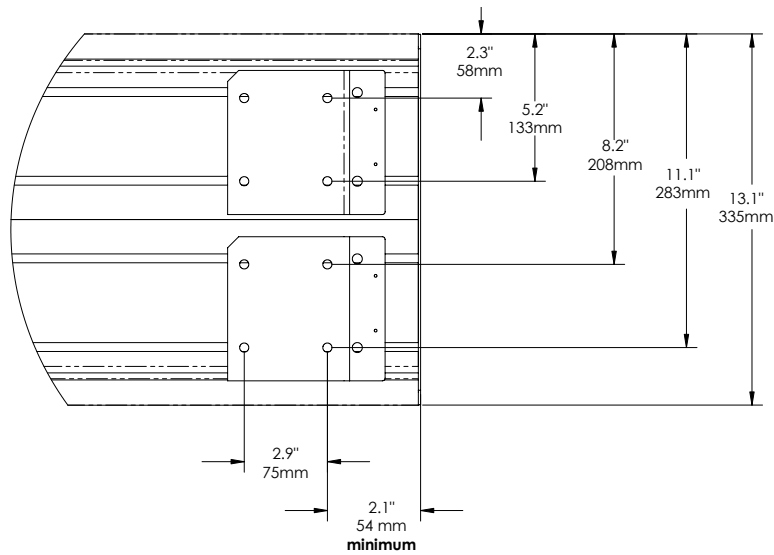
The screen portion of the mounting brackets is bolted to captive M8 nuts which slide in slots in the casing. These can be placed anywhere along the length of the casing, but for best results they should be as near the end of the casing as possible -- within 4" (10 cm) is best. The ceiling portion of the mounting bracket bolts to the ceiling with 4 bolts (not provided). The screen slides into the ceiling bracket from the front; this movement requires 1" / 25mm of clearance between the front of the casing and any other potential obstacle. The screen is then locked into place with a set screw. Screens up to 120" wide are delivered with a pair of quick mounting brackets.

There is one extra nut in each slot in case it is necessary.

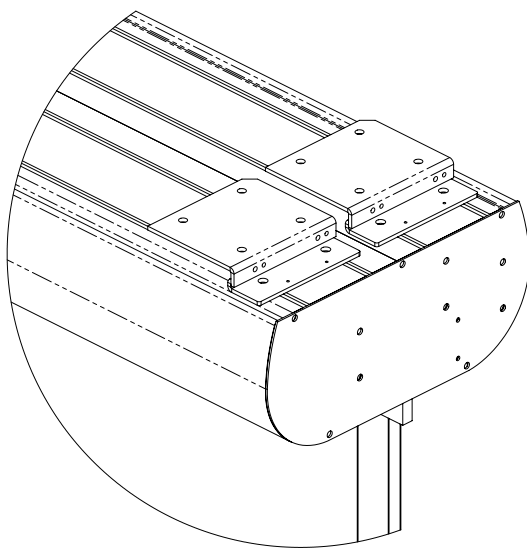
Motorized Screen with Masking Installation Manual

Mounting Dimensions - Large Casing

Ceiling Mount - Two Way Masking 120" - 160" and Four Way Masking 70" - 160"



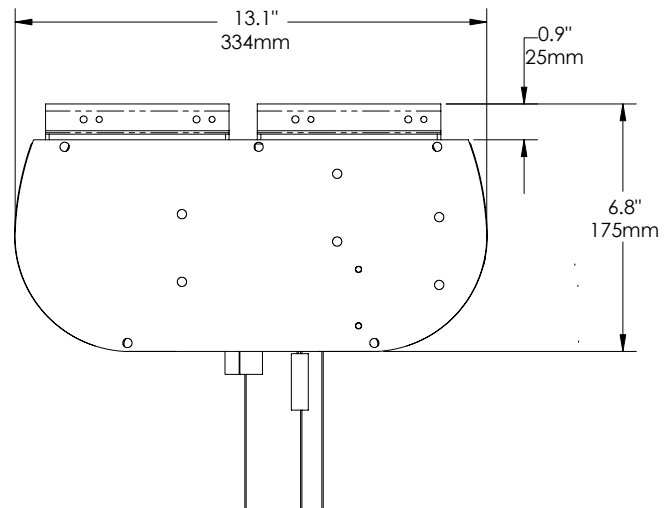
Top



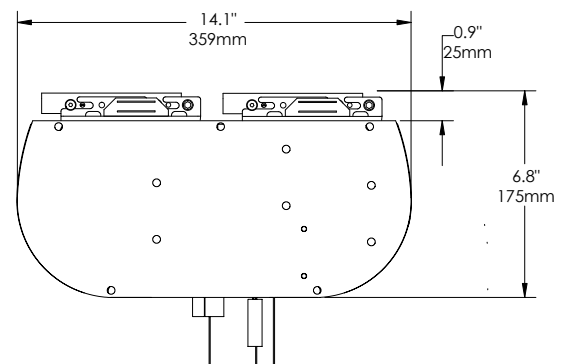
Rear Isometric

The screen portion of the mounting brackets is bolted to captive M8 nuts which slide in slots in the casing. These can be placed anywhere along the length of the casing, but for best results they should be as near the end of the casing as possible -- within 4" (10 cm) is best. The ceiling portion of the mounting bracket bolts to the ceiling with 4 bolts (not provided). The screen slides into the ceiling bracket from the front; this movement requires 1" / 25mm of clearance between the front of the casing and any other potential obstacle. The screen is then locked into place with a set screw. Screens are delivered with two pairs of quick mounting brackets.

There is one extra nut in each slot in case it is necessary.



End

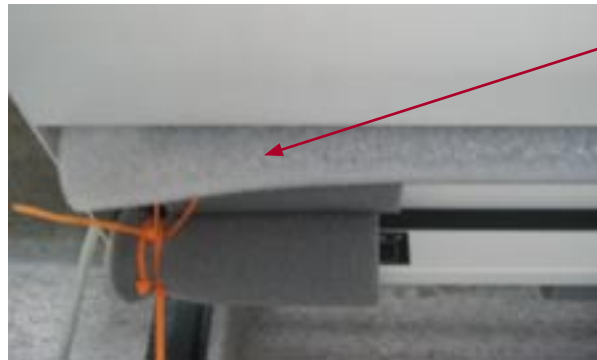


Motorized Screen with Masking Installation Manual

Unpack

FAILURE TO PERFORM THIS PROCEDURE WILL VOID THE PRODUCT WARRANTY

Fasten the screen to the ceiling (as explained before) and proceed as follows **before powering the screen.**



Remove the protection



Remove the orange protections that hold the masks.



Remove the white spacers and the screws that are placed on each side. **If you do not remove these spacers it will damage the projection fabric.**

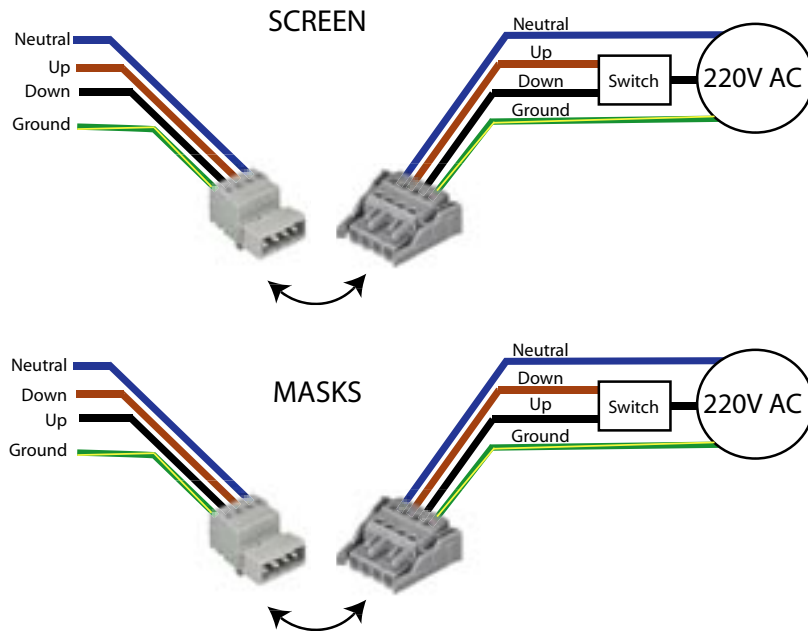


Screw the 2 spare screws send with the screw in the holes where the spacers/screws were and set your ends of travel as explained page 7.

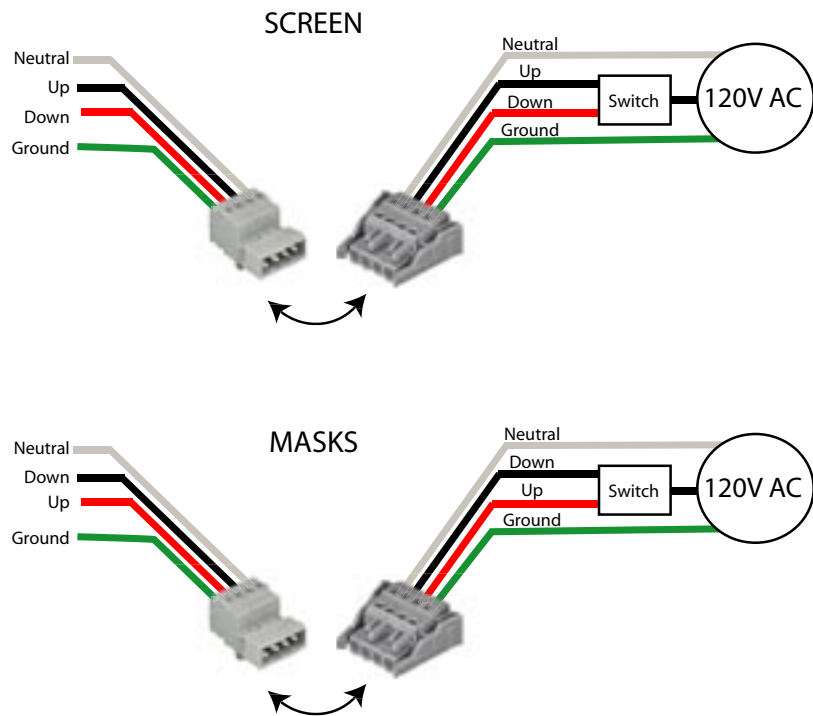
Motorized Screen with Masking Installation Manual

Electrical Installation

220 V AC



120 V AC



Motorized Screen with Masking Installation Manual

End of Travel Adjustments - Manual Control

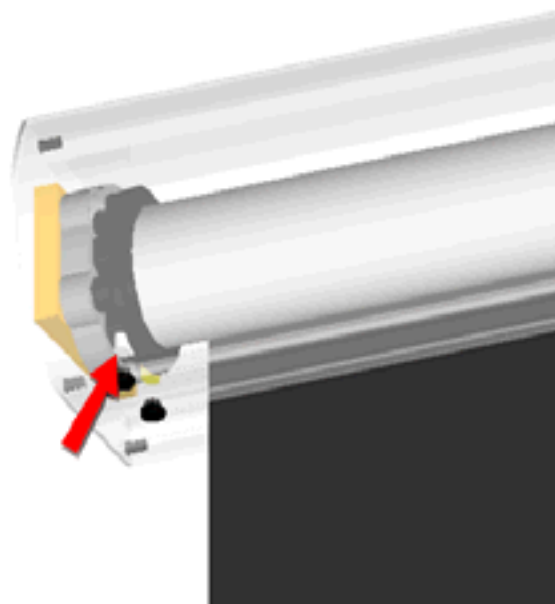
IT IS IMPORTANT THAT, UPON INSTALLATION, YOU VERIFY THE END STOPS OF THE SCREEN AND OF THE MASKS

The screen is equipped with switches which set the upper and lower limits of travel for the screen and for the masks. These limits are very important; if the screen rolls up too far, the batten can damage the screen, and if it lowers too far it can come unglued from the tube. These limits are set at the factory, but there is a chance that they could have been released during shipping.

The limits are set by "push-push" buttons - one push engages them, and a second push releases them. There are one for the upper limit and one for the lower limit. When a button is engaged, the motor will rotate freely in the corresponding direction to allow you to reach the desired position. Once that position is reached, you "memorize" the position by pushing the button to release it.

The upper limit button for the screen is white and the lower limit button for the screen is yellow.

The upper limit button for the masks is yellow and the lower limit button for the masks is white.



Screen Lower Stop

Once the electrical installation is complete, lower the screen fully. Make sure that the screen stops before you see a white line or area above the black portion above the screen. If you see this white area, STOP THE SCREEN. Then set the lower stop somewhere above this position using the procedure described above.

Screen lower limit button = yellow button.

Screen Upper Stop

Now raise the screen fully. Make sure that the screen stops in the correct position. For large casings, the batten should fully enter the slot. For small casings, the batten should partially enter the slot. If you see that the batten is going farther than this, STOP THE SCREEN.

Indeed, if the batten goes farther into the casing than the indicated limit, it will void the product warranty.

Then set the upper stop with the batten in the proper position using the procedure described above.

Screen upper limit button = white button.

Masks Lower Stop

Once the electrical installation is complete, lower the masks fully. Make sure that the masks stop before you see a white line or area. If you see this white area, STOP THE MASKS. Then set the lower stop somewhere above this position using the procedure described above.

Mask lower limit button = white button.

Masks Upper Stop

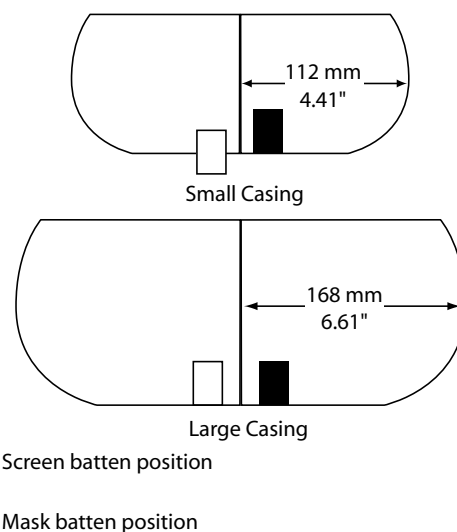
Now raise the masks fully. Make sure that the masks stop in the correct position. The batten should fully enter the slot. If you see that the batten is going farther than this, STOP THE MASK.

Indeed, if the batten goes farther into the casing than the indicated limit, it will void the product warranty. Then set the upper stop with the batten in the proper position using the procedure described above.

Mask upper limit button = yellow button.



Upper Travel Limit Batten Positions



FAILURE TO PERFORM THIS PROCEDURE WILL VOID THE PRODUCT WARRANTY

SCREEN Home Theater Systems
RESEARCH